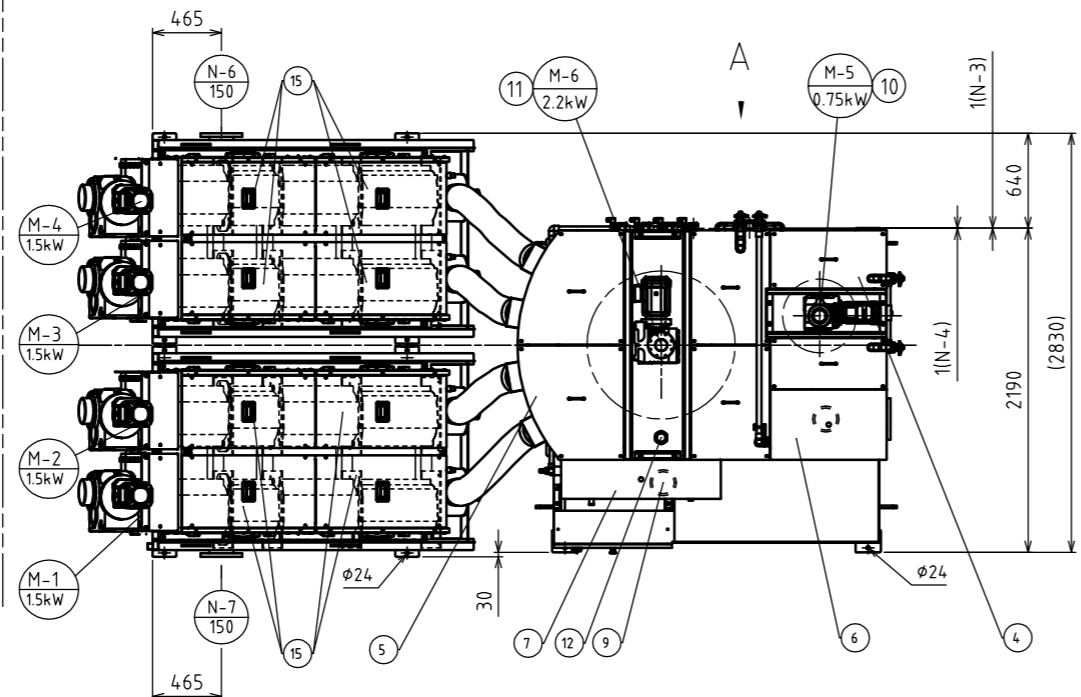
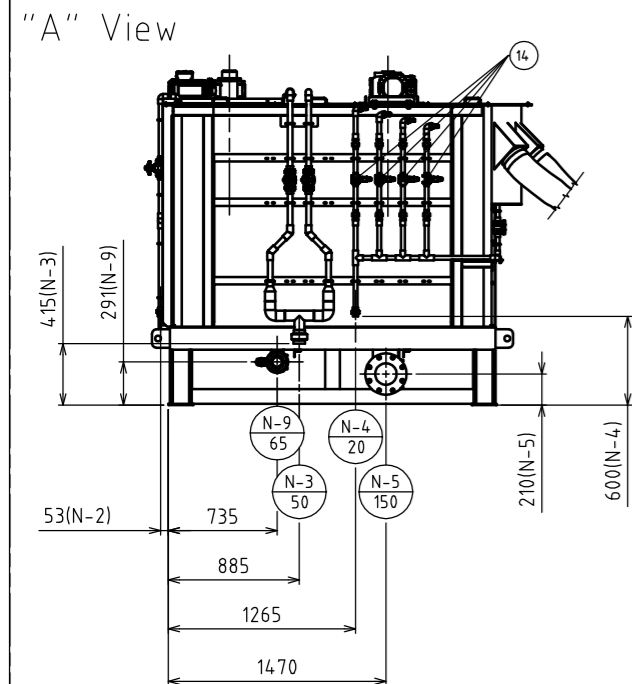


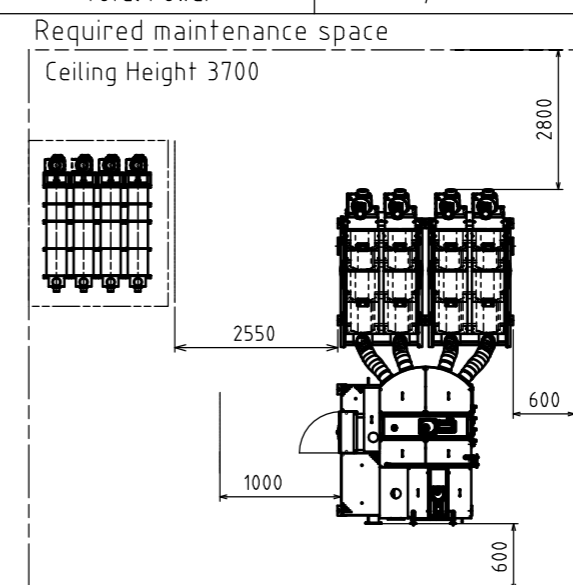
MARK	NOTICE	DATE	NAME
△ × -	-	-	-
△ × -	-	-	-
△ × -	-	-	-



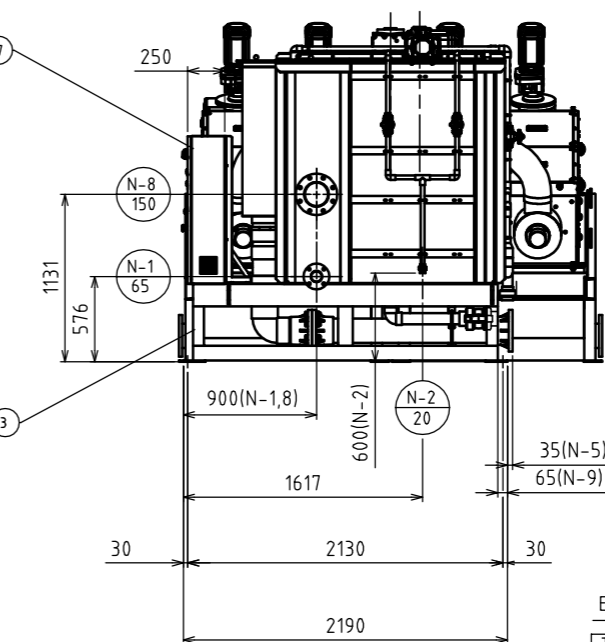
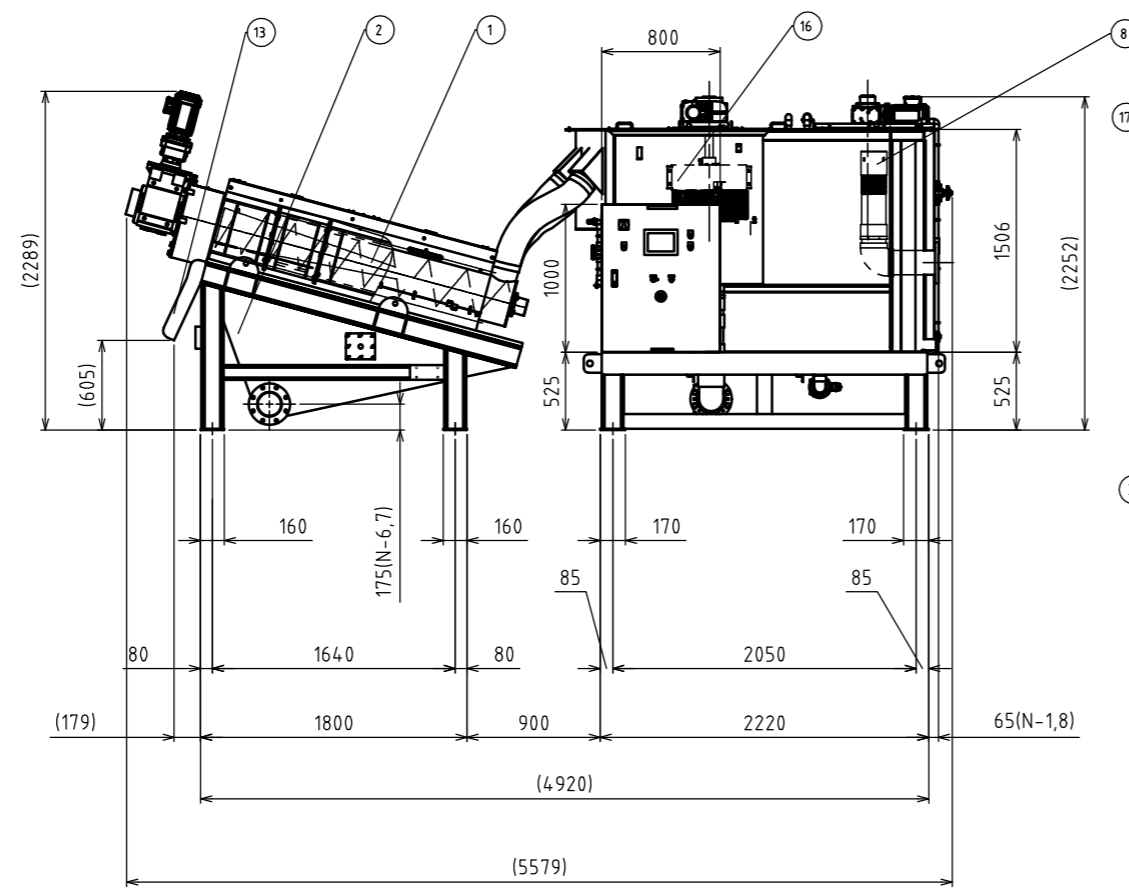
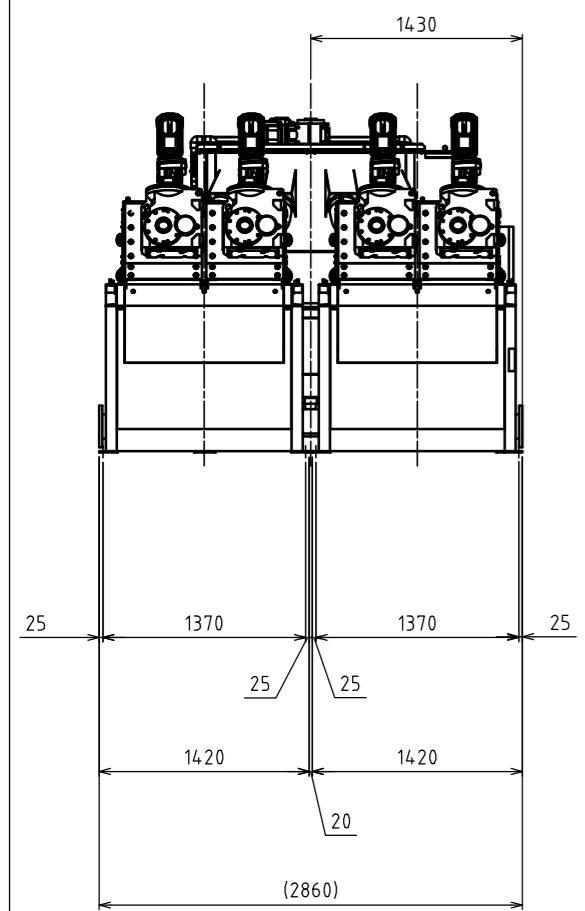
MOTOR LIST		
No.	Name	Power Consumption (reduction ratio)
M-1	No.1 V-Screw Motor	1,5kW (1/504)
M-2	No.2 V-Screw Motor	1,5kW (1/504)
M-3	No.3 V-Screw Motor	1,5kW (1/504)
M-4	No.4 V-Screw Motor	1,5kW (1/504)
M-5	No.1 Flocculation Tank Agitation Motor	0,75kW (1/15,6)
M-6	No.2 Flocculation Tank Agitation Motor	2,2kW (1/63,03)
Total Power		8,95kW

SPECIFICATION	
CYLINDER UNIT	φ350x4 -1.4301
TYPE	Multi-Discplate Screw Press
EMPTY WEIGHT	6620kg (4600kg - dewatering press (No.1,2)x2 2020kg - flocculation tank)
OPERATING WEIGHT	11120kg (5200kg - dewatering press (No.1,2)x2 5920kg - flocculation tank)

NOZZLE LIST			
No.	DN	Name	Connection
N-1	65	Sludge inlet	PN10 Flange (1.4301)
N-2	20	No.1 Chemical inlet	Union socket with female thread (1.4404)
N-3	50	No.2 Chemical inlet	Union socket with female thread (1.4404)
N-4	20	Water inlet	Union socket with female thread (1.4404)
N-5	150	No.1 Filtrated water outlet	PN10 Flange (PVC)
N-6	150	No.2 Filtrated water outlet	PN10 Flange (1.4301)
N-7	150	No.3 Filtrated water outlet	PN10 Flange (1.4301)
N-8	150	Sludge over flow	PN10 Flange (1.4301)
N-9	65	Flocculation tank drain	Ball Valve (PVC)



PARTS LIST			
No	Name	Mat.	Remarks/Drawing
1	Cylinder unit	1.4301	
2	Cylinder unit base	1.4301	Hole:4xφ24
3	Flocculation tank base	1.4301	Hole:4xφ24
4	No.1 Flocculation tank	1.4301	□1000x750x1500(H)
5	No.2 Flocculation tank	1.4301	□1400x1400x1500(H)
6	Flow control tank	1.4301	□390x750x1500(H)
7	Filtrate Flow Control Tank	1.4301	□300x1000x1050(H)
8	Sludge level adjuster	PVC 1.4301	
9	Filtrate level adjuster	PVC 1.4301	
10	No.1 Flocc.tank agitator	1.4301	Paddle type
11	No.2 Flocc.tank agitator	1.4301	Paddle type
12	Level switch	1.4301	Electrode type
13	Sludge cake chute	1.4301	
14	Solenoid valve	1.4401	DN20
15	Cover	1.4301	
16	Thickening Unit	1.4301 Nylon	
17	Control Panel	DC-01	HMI



END USER/PROJECT:			
TITLE ASSEMBLY DRAWING			
MODEL GS-354-4		VOLUTE.	
DRAWING No. DE0255-00-0		①	
DATE 12/05/2017	SCALE 1:50	PAGE 1/1	
APPROVED SO	CHECKED SO	DESIGNED PN	AMCON Europe s.r.o.