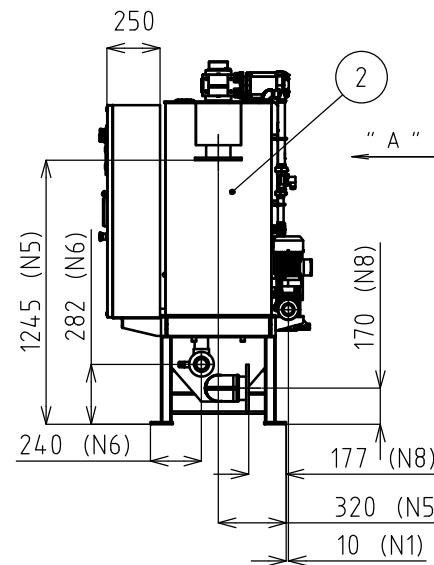
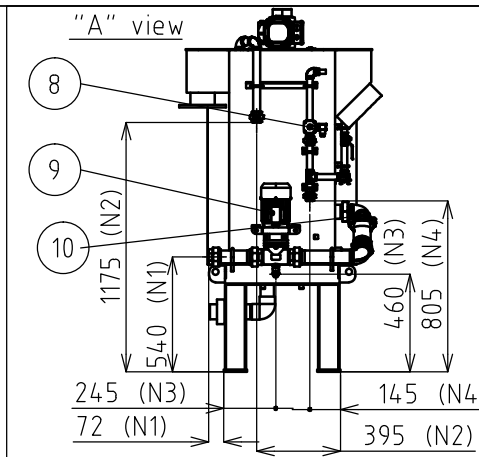
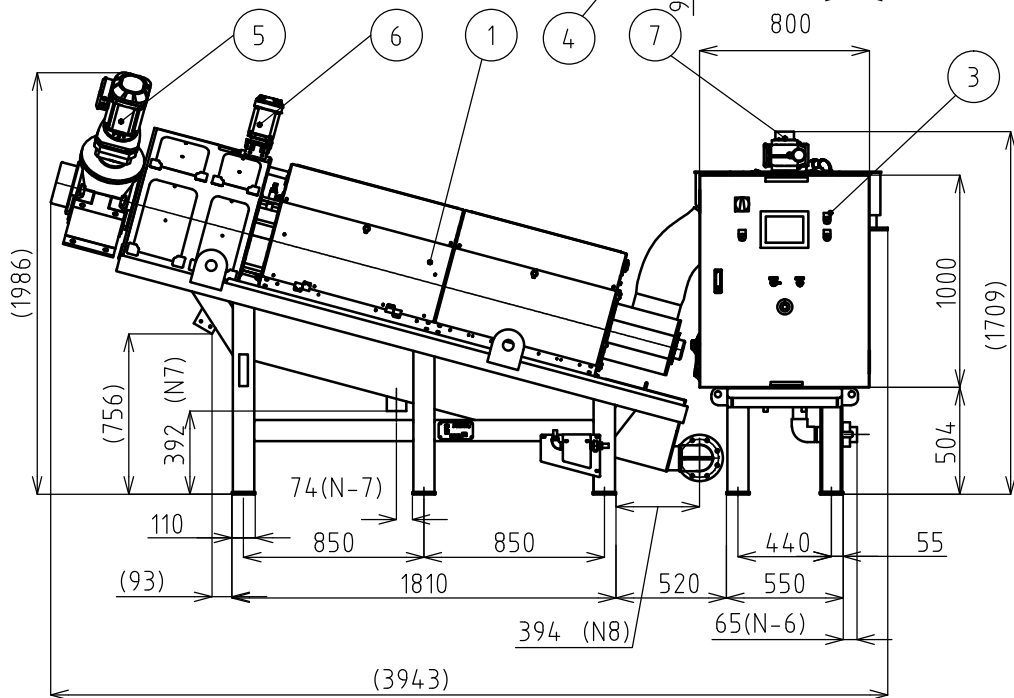
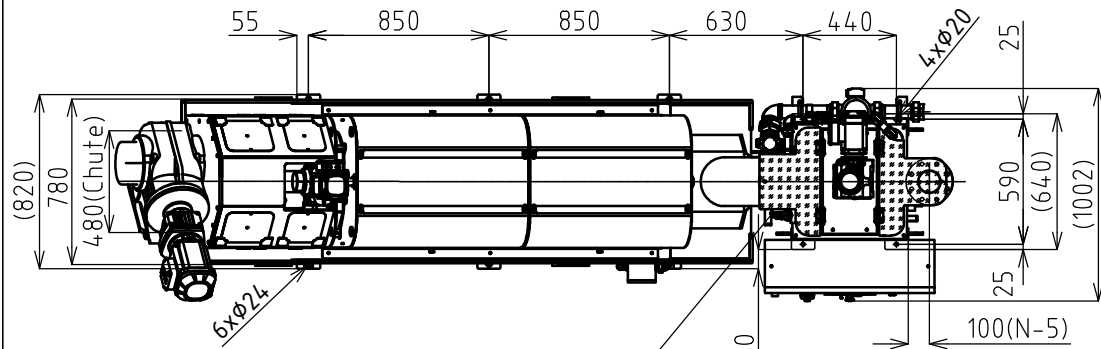
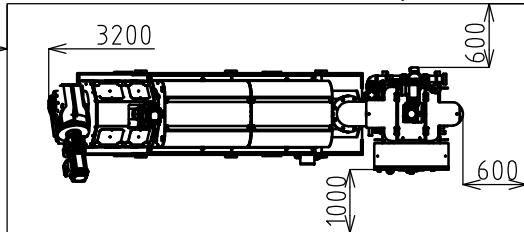


REVISION			
REV.	DESCRIPTION	DATE	NAME

Required Maintenance Space
Hoist Height 3000 for maintenance and overhaul
to hoist at least 500mm of entire Cylinder Unit



WEIGHT	
Empty	2100kg(=Cylinder1800kg+Tank300kg)
Operating	2600kg(=Cylinder2050kg+Tank550kg)

NOZZLE LIST			
No.	DN	Name	Connection
N-1	50	Sludge Inlet	Union Socket(1.4301)
N-2	25	Polymer Inlet1	Union Socket(1.4301)
N-3	20	Polymer Inlet2	Socket(1.4301)
N-4	20	Water Inlet	Union Socket(1.4301)
N-5	100	Sludge Overflow	PN10 Flange(1.4301)
N-6	50	Flocc. Tank Drain	Ball Valve(PVC)
N-7	80	No.1 Filtrate Outlet	Socket(1.4301)
N-8	100	No.2 Filtrate Outlet	PN10 Flange(1.4301)

PARTS LIST		
No.	Name	Remark
1	Cylinder	500 Model
2	Flocc. Tank	500x500x1005
3	Control Panel	HMI
4	Level Switch	Pressure type
5	V-Screw Motor	0.75kW i=652
6	Ext. Drive Motor	0.37kW i=184.8
7	Flocc. Tank Agitator Motor	0.37kW i=63.8
8	Solenoid Valve	DN20(3/4")
9	Inline Mixer	0.37kW
10	Check Valve	DN50(2")

USER/PROJECT:

TITLE				ASSEMBLY DRAWING	
MODEL				RVP-501-S-IM-CE	
DRAWING No.				DE0519-00-0	
DATE				23/04/2021	
SCALE				1:25	
PAGE				1/1	
APPROVED	CHECKED	DESIGNED	AMCON Europe s.r.o.		
SO	RT	MS			