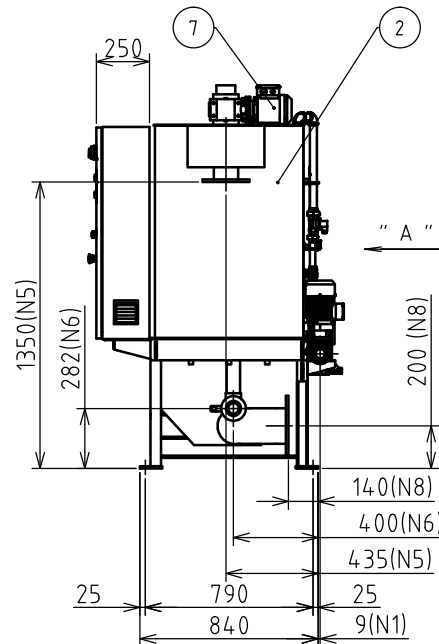
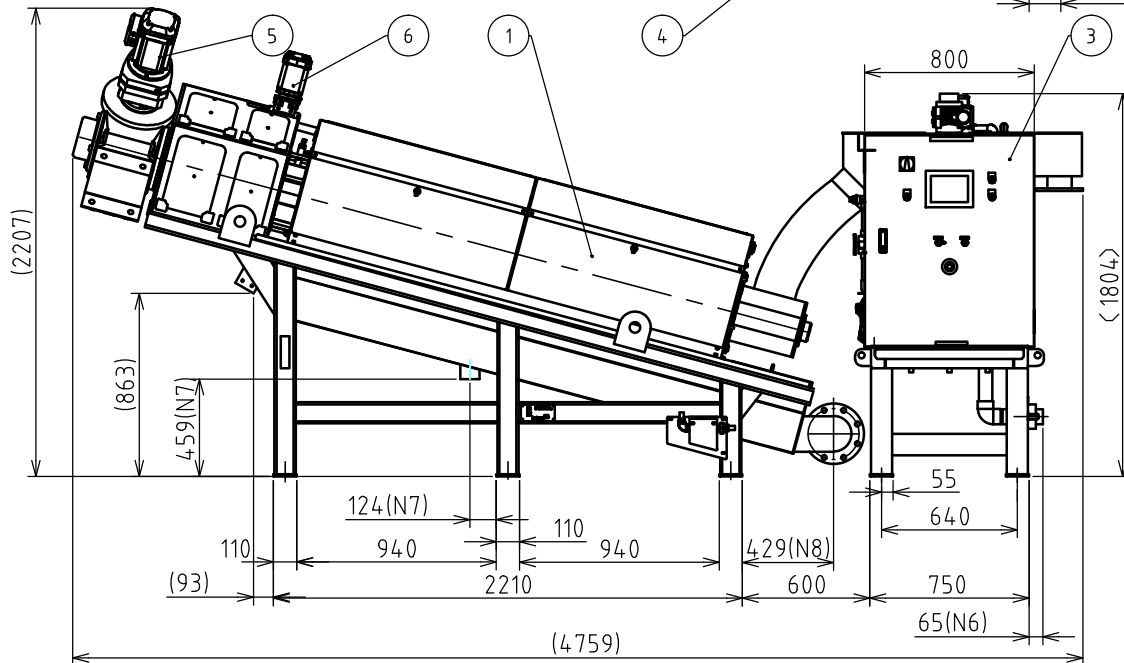
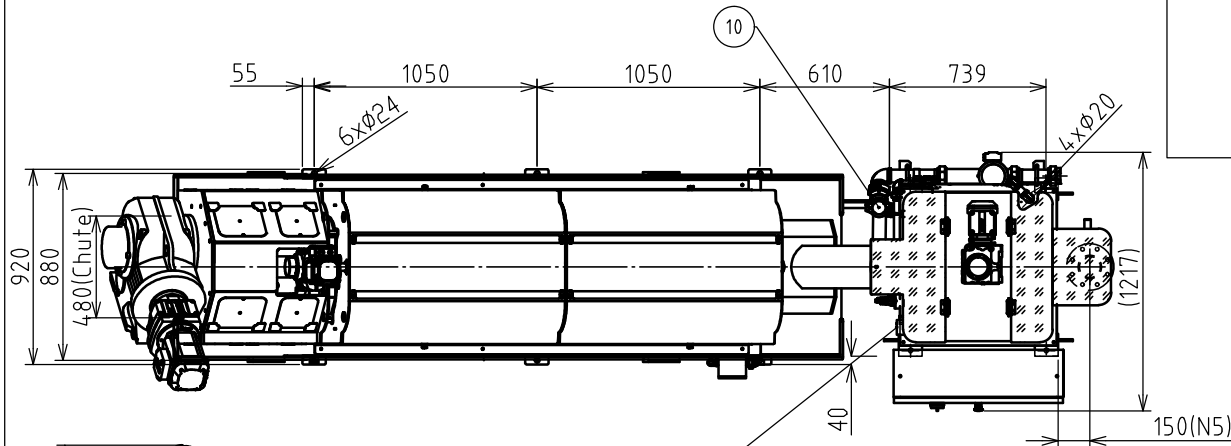
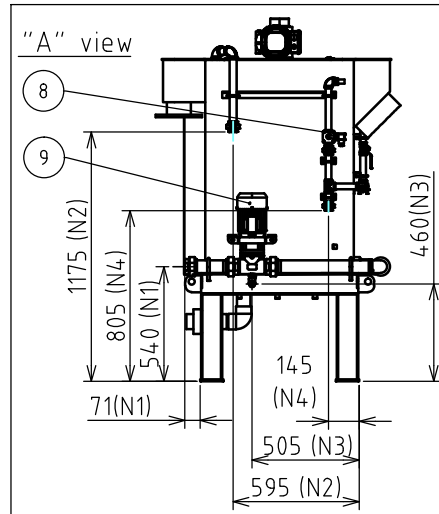
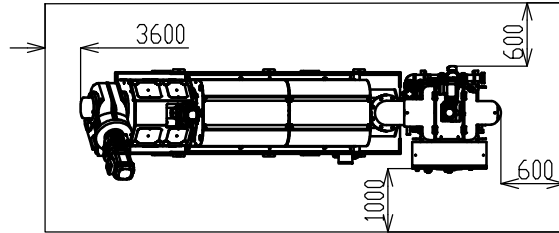


REVISION			
REV.	DESCRIPTION	DATE	NAME

Required Maintenance Space
 Hoist Height 3000 for maintenance and overhaul
 At least 500 to hoist entire Cylinder Unit



WEIGHT	
Empty	2770kg(=Cylinder2450kg+Tank320kg)
Operating	3570kg(=Cylinder2800kg+Tank770kg)

NOZZLE LIST			
No.	DN	Name	Connection
N-1	50	Sludge Inlet	Union Socket(1.4301)
N-2	25	Polymer Inlet1	Union Socket(1.4301)
N-3	20	Polymer Inlet2	Socket(1.4301)
N-4	20	Water Inlet	Union Socket(1.4301)
N-5	100	Sludge Overflow	PN10 Flange(1.4301)
N-6	50	Flocc. Tank Drain	Ball Valve(PVC)
N-7	80	No.1 Filtrate Outlet	Socket(1.4301)
N-8	150	No.2 Filtrate Outlet	PN10 Flange(1.4301)

PARTS LIST		
No.	Name	Remark
1	Cylinder	600 Model
2	Flocc. Tank	700x700x1005
3	Control Panel	HMI
4	Level Switch	Pressure type
5	V-Screw Motor	1.5kW i=615
6	Ext. Drive Motor	0.37kW i=184.8
7	Flocc. Tank Agitator Motor	0.37kW i=63.8
8	Solenoid Valve	DN20(3/4")
9	Inline Mixer	0.75kW
10	Check Valve	DN50(2")

USER/PROJECT:

TITLE			ASSEMBLY DRAWING	
MODEL			RVP-601-S-IM-CE	
DRAWING No.			DE0520-00-0	
DATE			23/04/2021	
SCALE			1:25	
PAGE			1/1	
APPROVED	CHECKED	DESIGNED	AMCON Europe s.r.o.	
SD	RT	RT		