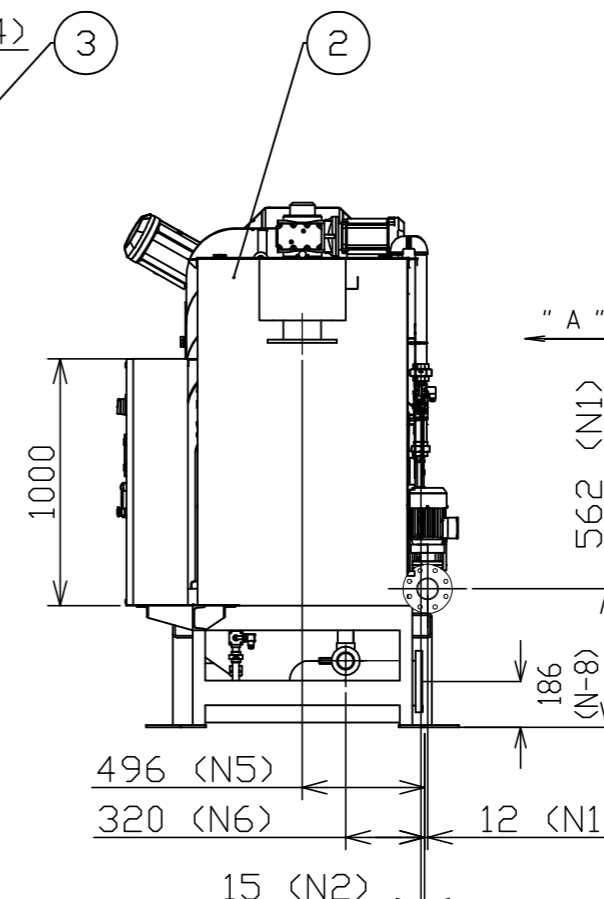
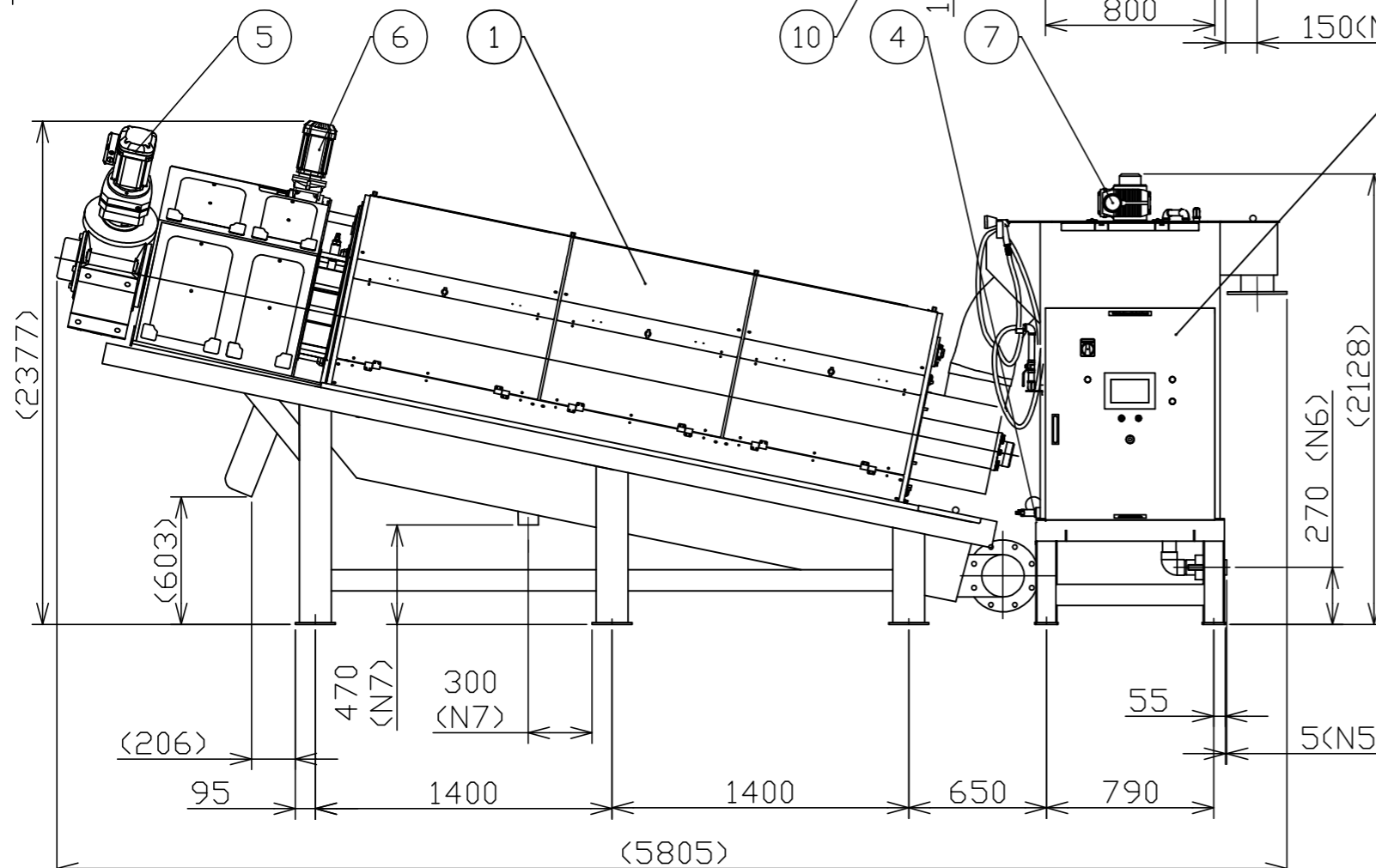
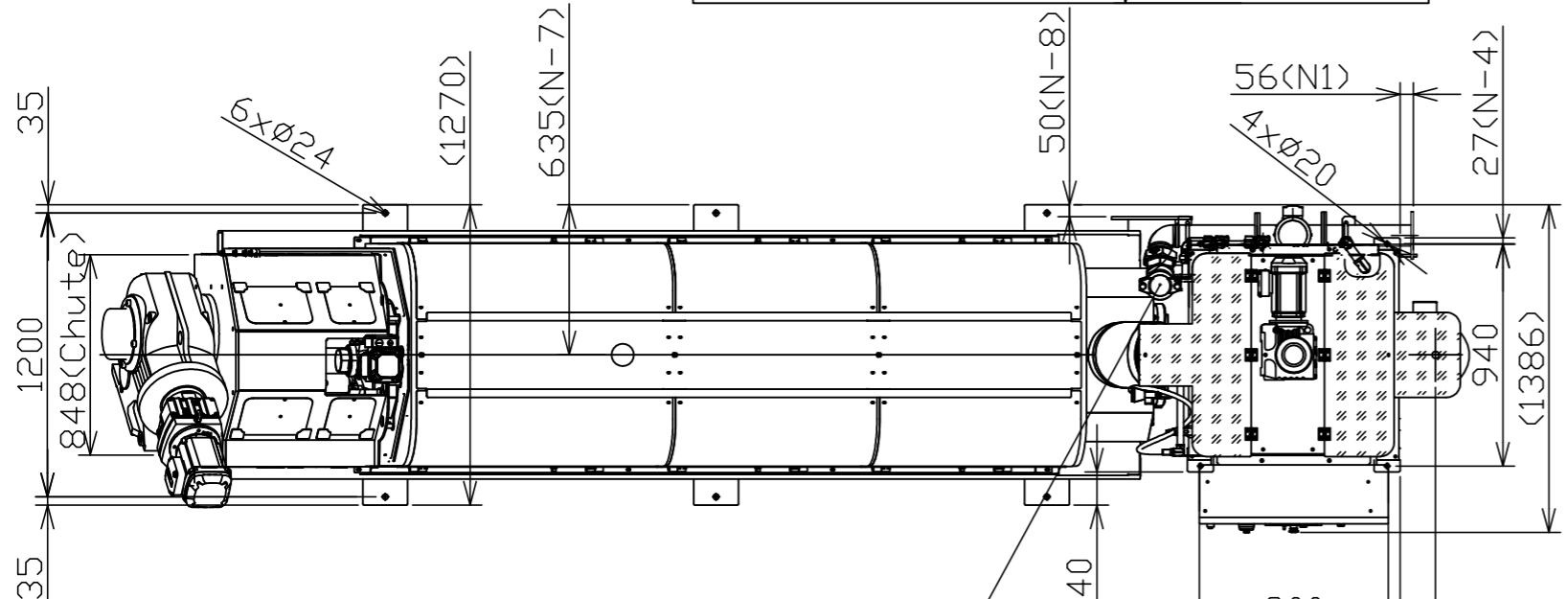
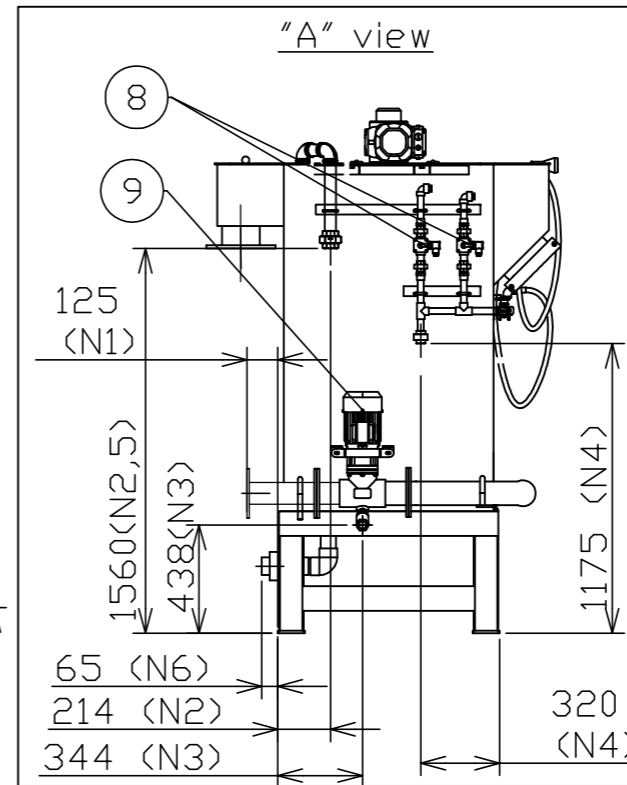
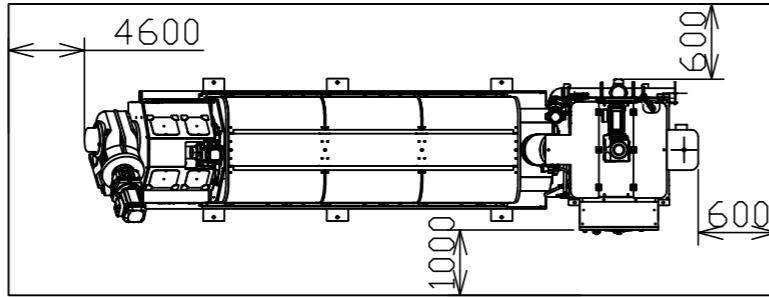


REVISION			
REV	DESCRIPTION	DATE	NAME

Required Maintenance Space
 Hoist Height 3000 for maintenance and overhaul
 At least 500 to hoist entire Cylinder Unit



WEIGHT	
Empty	4710kg(=Cylinder4180kg+Tank530kg)
Operating	6480kg(=Cylinder4880kg+Tank1600kg)

NOZZLE LIST			
No.	DN	Name	Connection
N-1	80	Sludge Inlet	PN10 Flange(1.4301)
N-2	40	Polymer Inlet1	Union Socket(1.4301)
N-3	25	Polymer Inlet2	Socket(1.4301)
N-4	20	Water Inlet	Union Socket(1.4301)
N-5	150	Sludge Overflow	PN10 Flange(1.4301)
N-6	50	Flocc. Tank Drain	Ball Valve(PVC)
N-7	80	No.1 Filtrate Outlet	Socket(1.4301)
N-8	200	No.2 Filtrate Outlet	PN10 Flange(1.4301)

PARTS LIST		
No.	Name	Remark
1	Cylinder	800 Model
2	Flocc. Tank	850x850x1400
3	Control Panel	HMI
4	Level Switch	Pressure type
5	V-Screw Motor	2.2kW i=615
6	Ext. Drive Motor	0.75kW i=180.6
7	Flocc. Tank Agitator Motor	0.75kW i=62.35
8	Solenoid Valve	DN20(3/4") x2
9	Inline Mixer	1.1kW
10	Check Valve	DN80(3")

USER/PROJECT:			
TITLE ASSEMBLY DRAWING			
MODEL RVP-801-S-IM-CE			
DRAWING No. DE0523-00-0			
DATE	23/04/2021	SCALE	1:30
			PAGE 1/1
APPROVED	CHECKED	DESIGNED	
SD	RT	DK	AMCON Europe s.r.o.