

# Specification



VOLUTE DUO™ Dewatering Press

Model:	RVP-601-S-IM-CE
--------	-----------------

Items		Specification	
Total Dimensions		L4759 × W1217 × H2207[mm]	
Total Rated kW		2.99[kW]	
Power Supply		Main Power: 380-400VAC 50Hz (3P+N+PE, TN-S)	
		Control Circuit: 24VDC	
IP (Enclosure)		IP 55	
Cylinder Unit	Dimensions	φ300×2=600, L= 3600 [mm]	
	Quantity	1	
	Specification	Contactless Multi-disc Twin Screw Press	
	Material	Dewatering/Thickening Zone: 1.4301	
V-Screw Motor	Model	KHZ107R77DRN90L4-615	(Supplier:SEW)
		Power: 380-400VAC Star-3P /50Hz	
	Spec	Waterproof Spec (IP55)	
	Power	1.5[kW]	
External Drive Shaft Motor	Model	SA57DRN71M4-184.8	(Supplier:SEW)
		Power: 380-400VAC Star-3P /50Hz	
	Spec	Waterproof Spec (IP55)	
	Power	0.37[kW]	
Flocculation Tank	Dimensions	L700×W700×H1005 [mm]	
	Capacity	Approx.365 [L]	
	Material	1.4301	
Flocculation Tank Agitator Motor	Model	SA57DRN71M4-63.8	(Supplier:SEW)
		Power: 380-400VAC Star-3P /50Hz	
	Spec	Waterproof Spec (IP55)	
	Power	0.37[kW]	
* <sup>1</sup> Inline Mixer	Model	Dynamic Inline Mixer_80	
	Power	0.75[kW] / 380-400VAC Star-3P /50Hz	
	Capacity	Sludge: -max 40m <sup>3</sup> /hr, Polymer: -max 4.5m <sup>3</sup> /hr	
Solenoid Valve for Volute Cylinder	Model	VXD252MGK / Power: 24VDC	(Supplier:SMC)
	Size	20DN (G3/4")	
	Material	1.4401	
Flocc. Tank Level Sensor	Model	PM1608 / Power: 24VDC	(Supplier:IFM)
	Material	Housing : 1.4404	
Control Panel	Model	Touch Screen: KTP 700 Basic 7" CPU: S7-1214C	(Supplier:Siemens)
	Dimensions	W800×H1000×D250[mm]	
	Material	EN 10130 DC01	

\* Specification may change without prior notice.

\* Contol Panel is not mounted on equipment as standard. CP frame can be added to the equipment upon request.

\*<sup>1</sup> Inline Mixer size may change depending on Sludge/Polymer flow rate



## ● Installation Conditions

Ambient Temperature	-10 ~ +40 Celsius (nonfreezing)
Ambient Humidity	90%RH Maximum (no condensing)
Altitude	Max. 1000m Above sea level
Storage Temperature	-20 ~ +65 Celsius (Temperature applicable for short time, e.g. in transit)
Power Supply	3 phase 4 wire with Neutral 380 ~ 400VAC/50Hz TN-S
*Water Pressure	0.1~0.2MPa(1-2Bar)
Overvoltage category	Category III, according to IEC60664-1
Pollution Degree	Degree 3 according to IEC60664-1
Applicable standards	EN 60204-1:2018 EN 61000-6-2:2005, EN 61000-6-4:2007, EN ISO 12100:2010, EN ISO 11202:2010 EN ISO 3746:2010, EN ISO 14120:2015 Machinery Directive (2006/42/EC) , EMC Directive (2014/30/EU) LVD Directive (2014/35/EU)

- \* Besides above conditions, sludge to be treated must be able to make flocculation by polymer.
- \* Use of potable water is strongly recommended. In case of other cases, please consult with AMCON.
- \* This equipment is for indoor use only. If used outside, protect equipment from weather conditions.
- \* When installing, make sure the load capacity of the installation place against the weight of equipment.

## ● Recommended Maintenance Space / Hoisting Equipment Requirement

Secure enough space around the equipment for the maintenance and future overhauling of VOLUTE DUO Cylinder. Hoisting facility is required for overhaul works. A mobile overhead crane is strongly recommended.

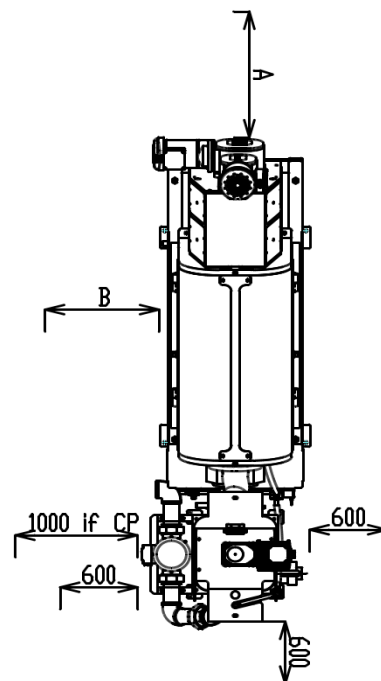
**Height:** At least to hoist VOLUTE DUO Cylinder 500mm.

**A:** Secure enough space to handle discharged Sludge cake for Conveyor or Container. Recommended to have the same length as VOLUTE DUO Cylinder if possible.

**B:** Secure clear flat surface without any pipes/bumps on one of the sides at least enough to place one VOLUTE DUO Cylinder. In case Overhaul will be not conducted on site but elsewhere due to available space, then secure clear path to move VOLUTE DUO Cylinder outside the installation area.

\*Check General Assembly drawing and Specification sheet of your equipment.

\*In case any questions consult with AMCON or its distributor



<Required Hoisting Facility/VOLUTE DUO Cylinder Dimensions and Weight>

VOLUTE DUO Cylinder	Recommended Hoisting Equipment	VOLUTE DUO Cylinder with cover	VOLUTE DUO Cylinder
Model	Capacity	Empty Weight	Dimensions (LxWxH cm)
240	500kg	300kg	150 x 50 x 70
500	2500kg	1500kg	310 x 75 x 105
600	3000kg	2000kg	360 x 80 x 120
700	3500kg	2500kg	410 x 90 x 125
800	5000kg	3600kg	460 x 100 x 125

\*Above are applicable for Standard specification VOLUTE DUO model only.